

建設工事安全かるた

Motto KARUTA for Safety of Construction Works



あんぜん まも つく
安全は 守るとともに 作るもの



Caution Keeps Safety and
Attention Makes Safety!

**Japan Society of Civil Engineers
Committee on Safety Problems**

©JSCE2023/Committee on Safety Problems

Permission must be obtained from JSCE before copying or reproducing the contents of this KARUTA.

建設工事安全かるた

Motto KARUTA for Safety of Construction Works



いちど まも こうかい
一度だけ 守らぬルールで あと後悔



That One Time, I Didn't Keep the Rule;
These Other Times Since, I Only Rue!"

**Japan Society of Civil Engineers
Committee on Safety Problems**

©JSCE2023/Committee on Safety Problems

Permission must be obtained from JSCE before copying or reproducing the contents of this KARUTA.

建設工事安全かるた

Motto KARUTA for Safety of Construction Works



うっかりと ぽっかい^あ空いた 不安^{ふ あんぜん}全



Stop That Daydreaming!
It Could Lead to Lax attitude –
It Could End As Accidents!”

**Japan Society of Civil Engineers
Committee on Safety Problems**

©JSCE2023/Committee on Safety Problems

Permission must be obtained from JSCE before copying or reproducing the contents of this KARUTA.

建設工事安全かるた

Motto KARUTA for Safety of Construction Works



え かくにん じっせん あんぜん
絵で確認 そして実践 安全ヨシ



ヨシ!



Posters Tell You All,
On the System < Point And Call > –
Do it Here and Now ! ”

**Japan Society of Civil Engineers
Committee on Safety Problems**

©JSCE2023/Committee on Safety Problems

Permission must be obtained from JSCE before copying or reproducing the contents of this KARUTA.

建設工事安全かるた

Motto KARUTA for Safety of Construction Works



おかしいな ^き気づいたときに ^{かくにん}すぐ確認



エンジンを
かけたまま
降車



Any Doubt You May Find,
Coming Across Within Your Mind,
You Go Back to the Site and Check!

**Japan Society of Civil Engineers
Committee on Safety Problems**

©JSCE2023/Committee on Safety Problems

Permission must be obtained from JSCE before copying or reproducing the contents of this KARUTA.

建設工事安全かるた

Motto KARUTA for Safety of Construction Works



かんでん なつば ちゅうい あせ うすぎ
感電は 夏場に注意 汗・薄着



Beware of KANDEN (*Electric Shock),
Often Caused in Hot Season,
Through Sweat and Light Clothes!

**Japan Society of Civil Engineers
Committee on Safety Problems**

©JSCE2023/Committee on Safety Problems

Permission must be obtained from JSCE before copying or reproducing the contents of this KARUTA.

建設工事安全かるた

Motto KARUTA for Safety of Construction Works



きけんよち 危険予知 よくあるだけで す 済ませるな



“We Always Do That” –

It’s a Risky Way of Thought –

Think Twice, and Go Then !

**Japan Society of Civil Engineers
Committee on Safety Problems**

©JSCE2023/Committee on Safety Problems

Permission must be obtained from JSCE before copying or reproducing the contents of this KARUTA.

建設工事安全かるた

Motto KARUTA for Safety of Construction Works



くりかえ がたさいがい 繰返し型災害 しつこく 声掛け 自分事に



Dangers Come Again –
Come To You and Your Team Mates –
Voice Out Your Warning !

**Japan Society of Civil Engineers
Committee on Safety Problems**

©JSCE2023/Committee on Safety Problems

Permission must be obtained from JSCE before copying or reproducing the contents of this KARUTA.

建設工事安全かるた

Motto KARUTA for Safety of Construction Works



け KYで ^よち ^{さいがい} 予知した災害 ^お 起こらない



Try KIKEN YOCHI (* KY, or risk prediction),
Once You Do it an' Caution around,
You'll be Safe and Sound !

**Japan Society of Civil Engineers
Committee on Safety Problems**

©JSCE2023/Committee on Safety Problems

Permission must be obtained from JSCE before copying or reproducing the contents of this KARUTA.

建設工事安全かるた

Motto KARUTA for Safety of Construction Works



これくらい ^{おも} 思う ^{ゆ だん} 油断で ^し 知るヒヤリ



“This Will Be OK!” –

You Could Get Cold Sweat Running
Down With “HIYARI!”

(*sudden sense of dread)

**Japan Society of Civil Engineers
Committee on Safety Problems**

©JSCE2023/Committee on Safety Problems

Permission must be obtained from JSCE before copying or reproducing the contents of this KARUTA.

建設工事安全かるた

Motto KARUTA for Safety of Construction Works



さぎょう かんきょう しょくば かくにん ひび あんぜん
作業環境 職場で確認 日々安全



“Work Environment” –

Check it Again on Your Site Zone,
Safety is Your Own !

**Japan Society of Civil Engineers
Committee on Safety Problems**

©JSCE2023/Committee on Safety Problems

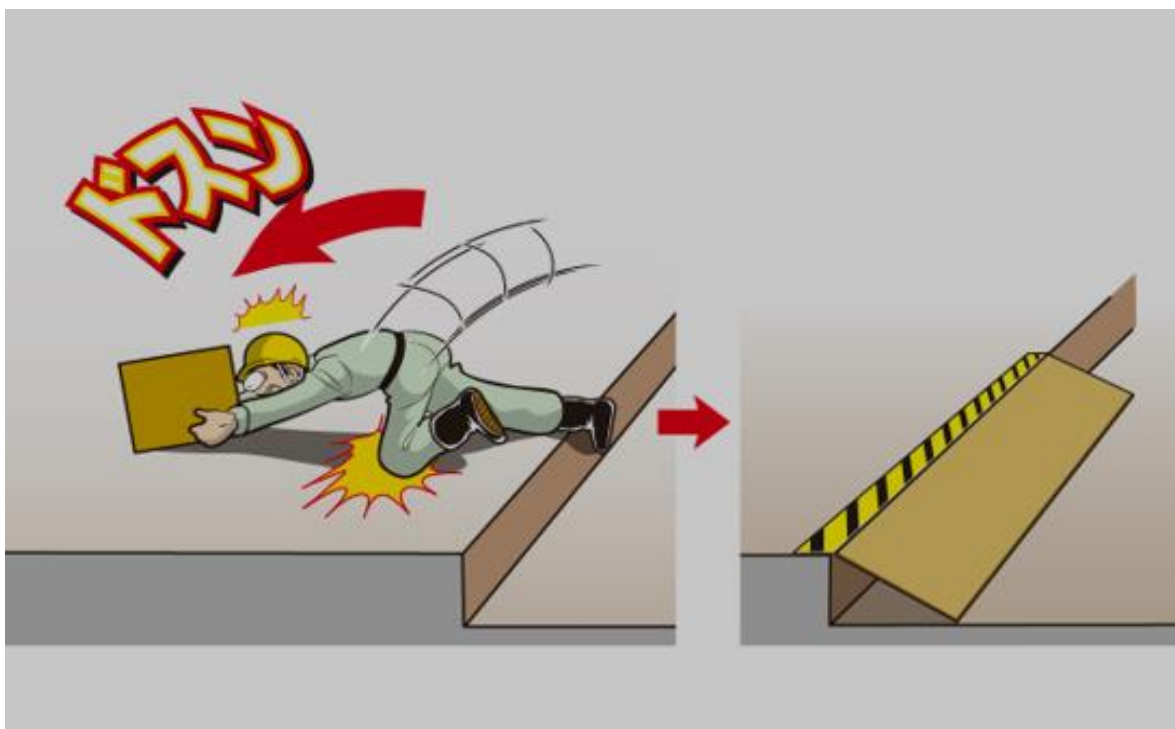
Permission must be obtained from JSCE before copying or reproducing the contents of this KARUTA.

建設工事安全かるた

Motto KARUTA for Safety of Construction Works



失敗^{しっぱい}を 次^{つぎ}に活^いかして 再発^{さいはつ}防止^{ぼうし}



To Err is Human –

But You Make it a Lesson Learned,
Sure Way For Safety !

**Japan Society of Civil Engineers
Committee on Safety Problems**

©JSCE2023/Committee on Safety Problems

Permission must be obtained from JSCE before copying or reproducing the contents of this KARUTA.

建設工事安全かるた

Motto KARUTA for Safety of Construction Works



^{すこ}少しぐらい ^{おうちやく}その横着が ケガのもと



“Come On, Better Hurry”

“It Doesn’t Matter”, “Don’t Worry” –
Cause of Injury !

**Japan Society of Civil Engineers
Committee on Safety Problems**

©JSCE2023/Committee on Safety Problems

Permission must be obtained from JSCE before copying or reproducing the contents of this KARUTA.

建設工事安全かるた

Motto KARUTA for Safety of Construction Works



せんかいはんい うご じゅうき ちか
旋回範囲 動く重機に 近づくな



Watch Out, Stay Away !

Moving Units in the Way !

They Can Turn and Hit !

**Japan Society of Civil Engineers
Committee on Safety Problems**

©JSCE2023/Committee on Safety Problems

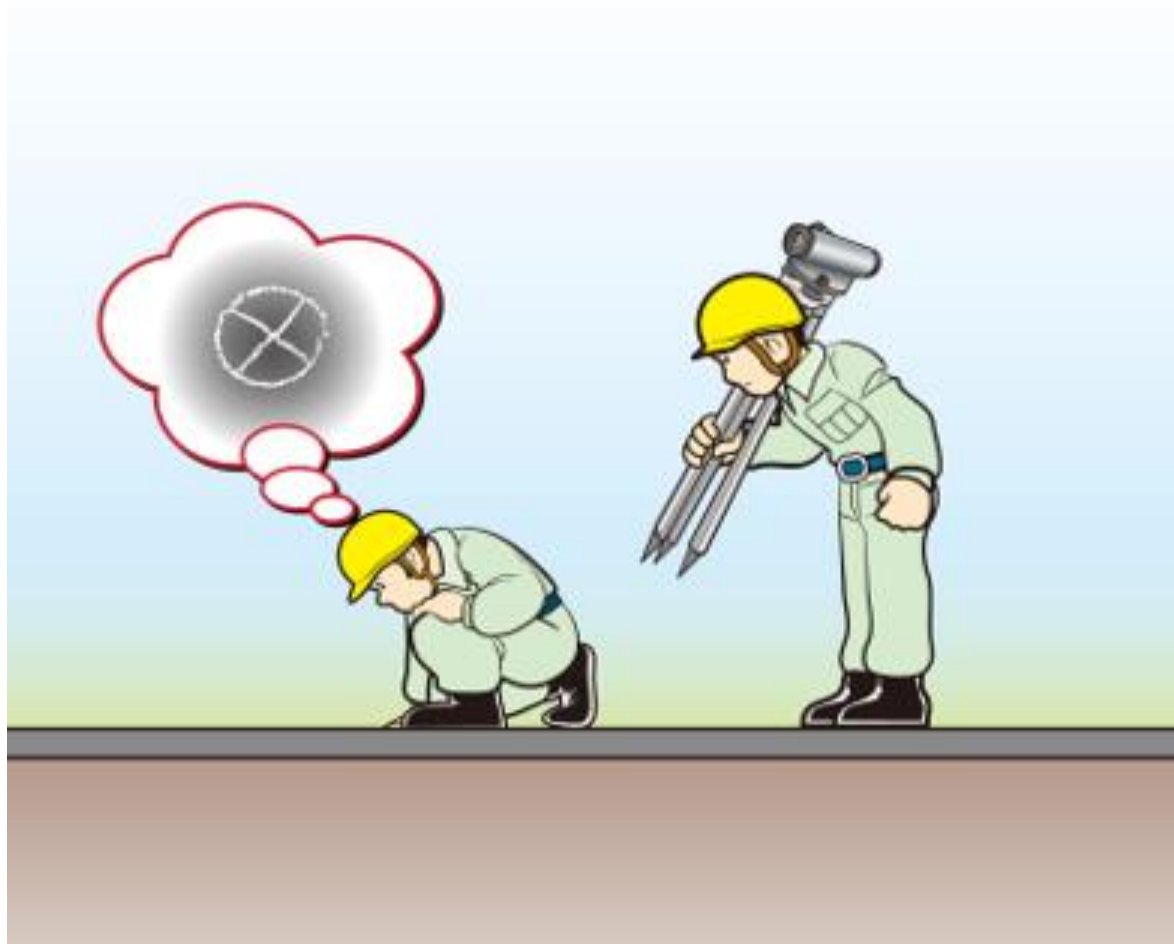
Permission must be obtained from JSCE before copying or reproducing the contents of this KARUTA.

建設工事安全かるた

Motto KARUTA for Safety of Construction Works



そんなこと わかると言わず ^い再確認 ^{さいかくにん}



“Those Are Simple Things !” —
Don't Be Over-Confident,
Back to Basic Rules !

**Japan Society of Civil Engineers
Committee on Safety Problems**

©JSCE2023/Committee on Safety Problems

Permission must be obtained from JSCE before copying or reproducing the contents of this KARUTA.

建設工事安全かるた

Motto KARUTA for Safety of Construction Works

た

たいせつ ふくすう いみ
大切な 複数チェックに 意味がある



Double-Check And Cross-Check,
Physical Sign And Verbal Sign –
Until it's YOSHI (* OK) !

**Japan Society of Civil Engineers
Committee on Safety Problems**

©JSCE2023/Committee on Safety Problems

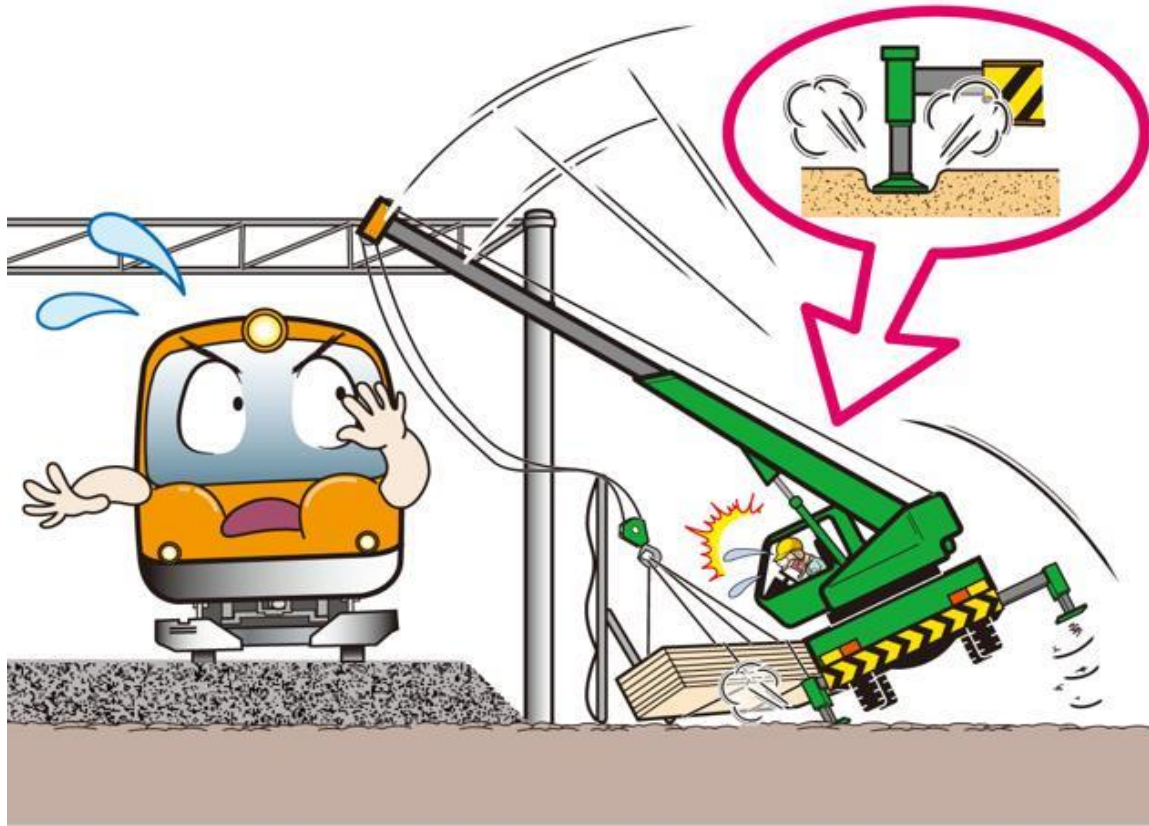
Permission must be obtained from JSCE before copying or reproducing the contents of this KARUTA.

建設工事安全かるた

Motto KARUTA for Safety of Construction Works



^{ちんか}沈下する ^{じばん}地盤とともに ^{てんとう}クレーン転倒



If the Ground is Poor,
It Can Subside under the Crane,
Crane Could Topple Over !

**Japan Society of Civil Engineers
Committee on Safety Problems**

©JSCE2023/Committee on Safety Problems

Permission must be obtained from JSCE before copying or reproducing the contents of this KARUTA.

建設工事安全かるた

Motto KARUTA for Safety of Construction Works



つた 伝えよう きょう 今日の作業の さぎょう 安全ポイント

今日の安全ポイントは〇〇だ

了解!



Tell Your Team Members

As the First Thing in The Morn,
Key Points of Safety !

**Japan Society of Civil Engineers
Committee on Safety Problems**

©JSCE2023/Committee on Safety Problems

Permission must be obtained from JSCE before copying or reproducing the contents of this KARUTA.

建設工事安全かるた

Motto KARUTA for Safety of Construction Works



て だ 手を出すな かいてんきかい 回転機械が と 止まるまで



●巻き込み防止カバーをつける



Caution ! — Keep Hands Off

From the Rotating Machine

While it's in Motion !

**Japan Society of Civil Engineers
Committee on Safety Problems**

©JSCE2023/Committee on Safety Problems

Permission must be obtained from JSCE before copying or reproducing the contents of this KARUTA.

建設工事安全かるた

Motto KARUTA for Safety of Construction Works



こうじ はだお じゅうき ようちゅうい
トンネル工事 肌落ち 重機に 要注意



While in Tunnelling Work,
Watch Out on any Loose Rockfall
And Excavators !

**Japan Society of Civil Engineers
Committee on Safety Problems**

©JSCE2023/Committee on Safety Problems

Permission must be obtained from JSCE before copying or reproducing the contents of this KARUTA.

建設工事安全かるた

Motto KARUTA for Safety of Construction Works



な さぎょう しょしん もど てじゅん かくにん
慣れた作業 初心に戻り 手順確認



“That Old Easy Work!” —

Think Twice, Go Back to Basics,
Re-confirm the Steps!!

**Japan Society of Civil Engineers
Committee on Safety Problems**

©JSCE2023/Committee on Safety Problems

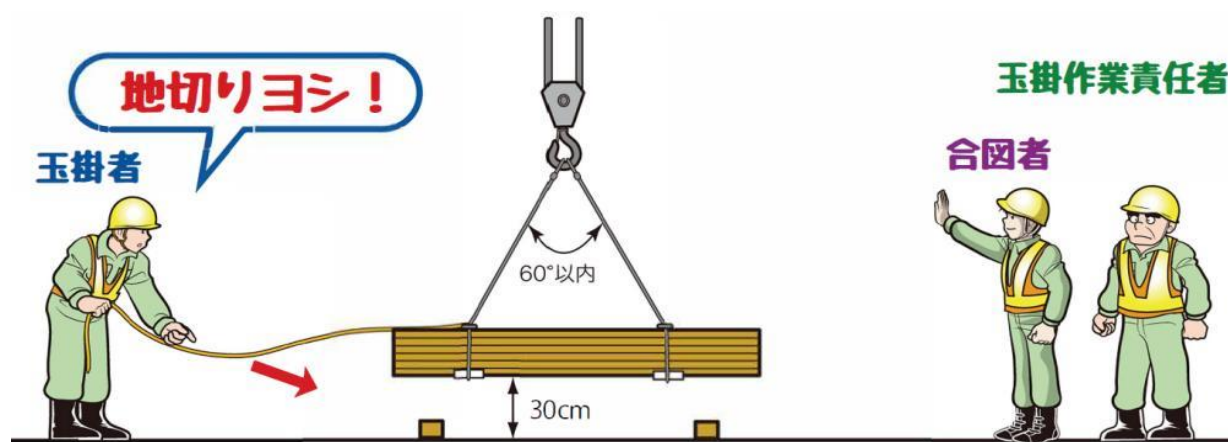
Permission must be obtained from JSCE before copying or reproducing the contents of this KARUTA.

建設工事安全かるた

Motto KARUTA for Safety of Construction Works



にすぎた 荷姿を もいちと点検 地切りヨシ!



Check it Out and See

If Your Load is Packed Alright,

Slings Straight and Stable!

**Japan Society of Civil Engineers
Committee on Safety Problems**

©JSCE2023/Committee on Safety Problems

Permission must be obtained from JSCE before copying or reproducing the contents of this KARUTA.

建設工事安全かるた

Motto KARUTA for Safety of Construction Works



^ぬ濡れた手^てで ^{さわ}触るな^{でんせん}電線 ^{かいへいき}開閉器



Keep Your Wet Hands Off

From the wires and Switch Boxes !

You Can Get a Shock !

**Japan Society of Civil Engineers
Committee on Safety Problems**

©JSCE2023/Committee on Safety Problems

Permission must be obtained from JSCE before copying or reproducing the contents of this KARUTA.

建設工事安全かるた

Motto KARUTA for Safety of Construction Works



ねっちゅうしょう あつ し すう かく
熱中症 暑さ指数で 確認を



●WBGT値の低減や

休憩場所の確保



●作業の休止時間

休憩時間の確保



Avoid a Heat Stroke!

Check Out With WBGT!

Take Rest if it Tells !

**Japan Society of Civil Engineers
Committee on Safety Problems**

©JSCE2023/Committee on Safety Problems

Permission must be obtained from JSCE before copying or reproducing the contents of this KARUTA.

建設工事安全かるた

Motto KARUTA for Safety of Construction Works



のうりよく つね かくにん じゅうき そうさ
能力を 常に確認 重機操作



Check First CAPA.(*Power) of the Crane,
Confirm it's OK, Then Run it !
It's Your Safety First !

**Japan Society of Civil Engineers
Committee on Safety Problems**

©JSCE2023/Committee on Safety Problems

Permission must be obtained from JSCE before copying or reproducing the contents of this KARUTA.

建設工事安全かるた

Motto KARUTA for Safety of Construction Works



^{はな}離れても ^{こえ}ひと声かけて ^{ぶじかくにん}無事確認



Try To Keep Contact

With Your Work Mates on the Site.

Call Out, See them Safe !

**Japan Society of Civil Engineers
Committee on Safety Problems**

©JSCE2023/Committee on Safety Problems

Permission must be obtained from JSCE before copying or reproducing the contents of this KARUTA.

建設工事安全かるた

Motto KARUTA for Safety of Construction Works



ひ い み お おお ふゆさぎょう
日の入りに 見落とし多し 冬作業



Sun Sets and it's Dusk !

Take Care Not to Miss a Thing,
Watch Out and Light Up!

**Japan Society of Civil Engineers
Committee on Safety Problems**

©JSCE2023/Committee on Safety Problems

Permission must be obtained from JSCE before copying or reproducing the contents of this KARUTA.

建設工事安全かるた

Motto KARUTA for Safety of Construction Works



フルハーネス ^{めんどろ}面倒からずに ^{そうちやく}装着を



Wear Full-Harness Gear,

Useful for Your Work Safety,

Don't Take it Bothersome !

**Japan Society of Civil Engineers
Committee on Safety Problems**

©JSCE2023/Committee on Safety Problems

Permission must be obtained from JSCE before copying or reproducing the contents of this KARUTA.

建設工事安全かるた

Motto KARUTA for Safety of Construction Works



ヘルメット あごヒモ^し締めて 気^きも^し締める



Fasten Your Helmet Belt,

Fasten Your Mind for Attention.

Secure Your Safety !

**Japan Society of Civil Engineers
Committee on Safety Problems**

©JSCE2023/Committee on Safety Problems

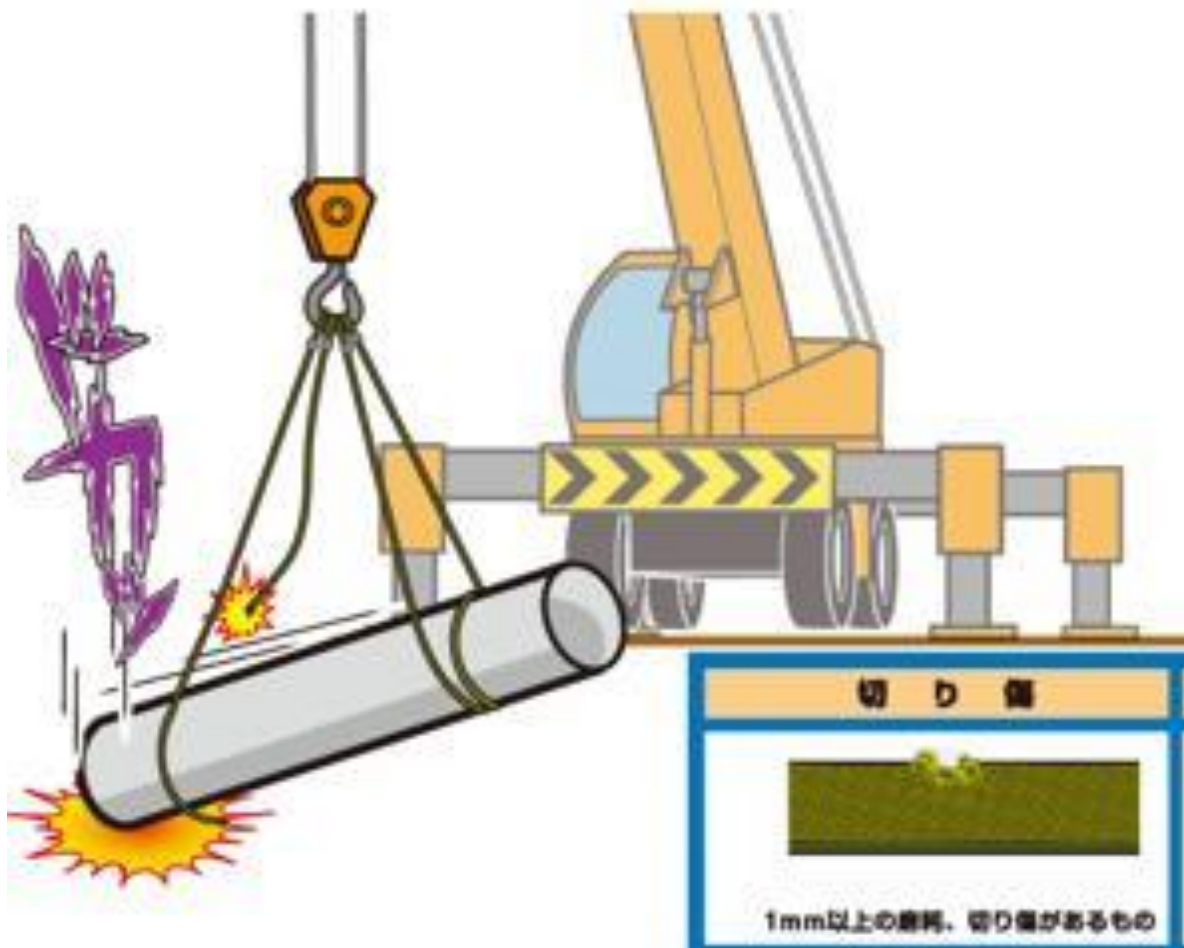
Permission must be obtained from JSCE before copying or reproducing the contents of this KARUTA.

建設工事安全かるた

Motto KARUTA for Safety of Construction Works

ほ

ほつれてる ベルトスリング それダメよ



It's No-Go, No Go !

Those Frayed Belt-Slings, Damaged Ropes,
Check it in Advance!

**Japan Society of Civil Engineers
Committee on Safety Problems**

©JSCE2023/Committee on Safety Problems

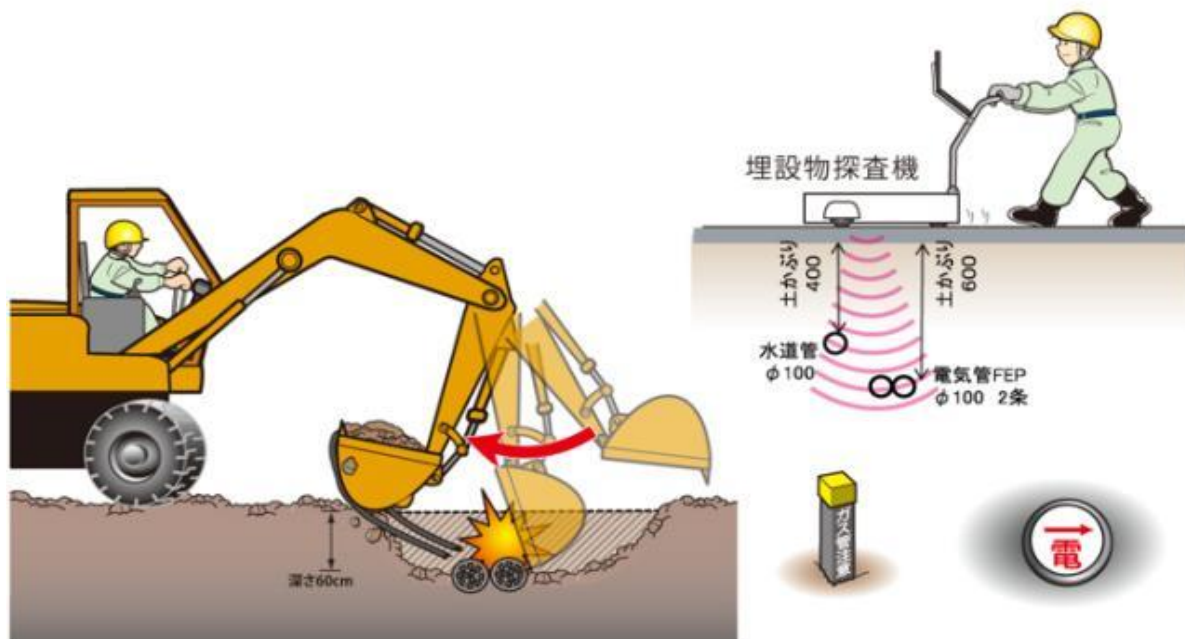
Permission must be obtained from JSCE before copying or reproducing the contents of this KARUTA.

建設工事安全かるた

Motto KARUTA for Safety of Construction Works



まいせつぶつ 埋設物 み 見える化しよう か 電気・通信・ガス・水道 でんき つうしん すいどう



Beware the Buried

Lines and Cables Underground —

Elec., Telecom, Gas, Water !

**Japan Society of Civil Engineers
Committee on Safety Problems**

©JSCE2023/Committee on Safety Problems

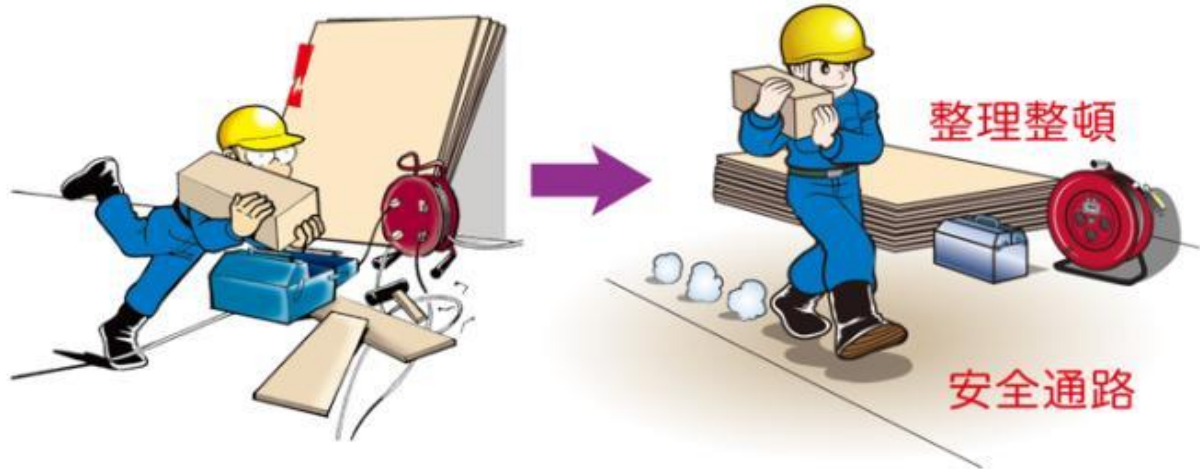
Permission must be obtained from JSCE before copying or reproducing the contents of this KARUTA.

建設工事安全かるた

Motto KARUTA for Safety of Construction Works



みす 見^み過^すごすな 不安^{ふあん}全^{ぜん}設^{せつ}備^び すぐ^{かい}改^{ぜん}善



Risk on Unsafe Place –

Do Not Leave it Unattended,
For You and Your Team !

**Japan Society of Civil Engineers
Committee on Safety Problems**

©JSCE2023/Committee on Safety Problems

Permission must be obtained from JSCE before copying or reproducing the contents of this KARUTA.

建設工事安全かるた

Motto KARUTA for Safety of Construction Works



む り い 無理言うな こうてい かく ほ 工程確保は けい かく 計画から



It's Not Fair and Good !

Let Us Keep the Planned Schedule,
So the Work Gets Through !

**Japan Society of Civil Engineers
Committee on Safety Problems**

©JSCE2023/Committee on Safety Problems

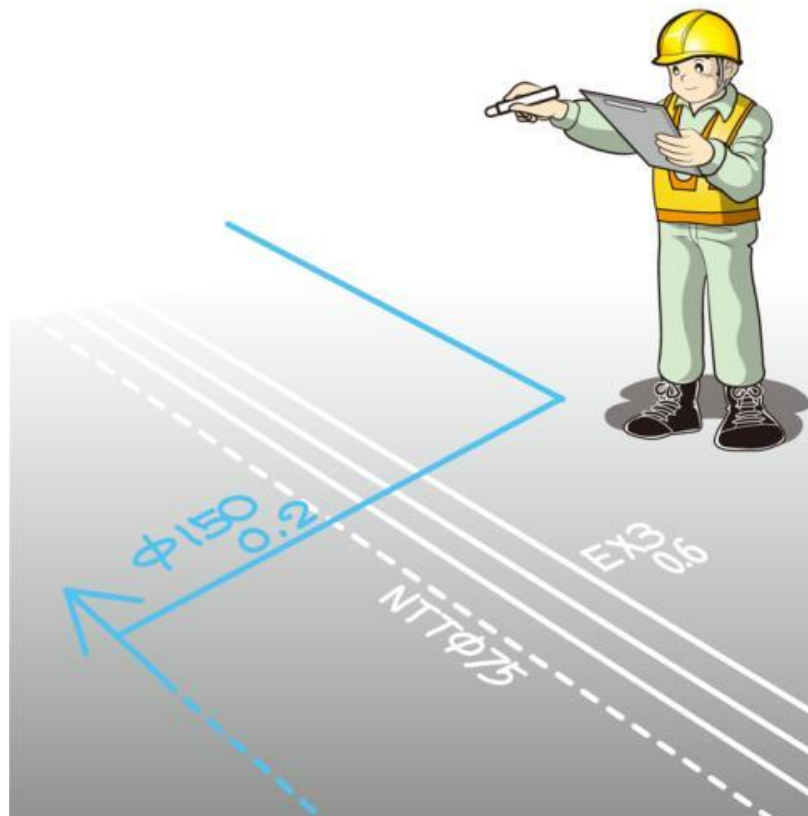
Permission must be obtained from JSCE before copying or reproducing the contents of this KARUTA.

建設工事安全かるた

Motto KARUTA for Safety of Construction Works



めじるし
目印を ^かハッキリ書いて ^{ごかい}誤解なし



Survey, Measure and Mark,
Give Clear Guide to Lead Your Team:
These Are Keys for Work !

**Japan Society of Civil Engineers
Committee on Safety Problems**

©JSCE2023/Committee on Safety Problems

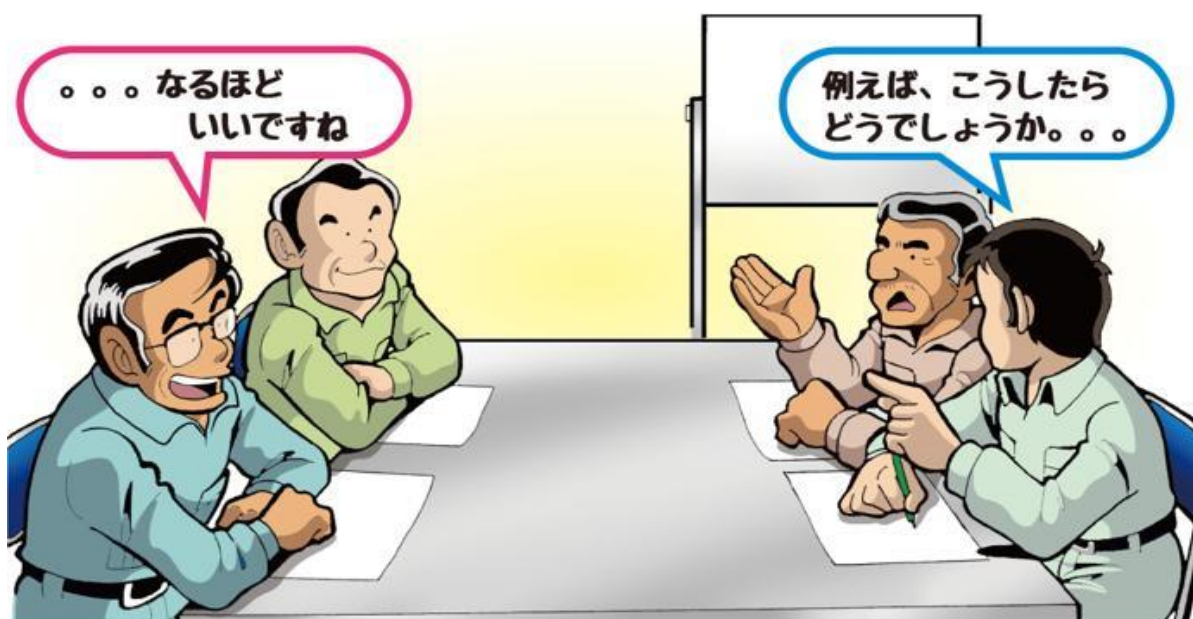
Permission must be obtained from JSCE before copying or reproducing the contents of this KARUTA.

建設工事安全かるた

Motto KARUTA for Safety of Construction Works



もう一度 ^{いちど} ^{おし} ^{おそ} 教え教わる かんどころ



Talk Before the Work,

Go Through Key Points of the Day,

Wrap Them Up Again

**Japan Society of Civil Engineers
Committee on Safety Problems**

©JSCE2023/Committee on Safety Problems

Permission must be obtained from JSCE before copying or reproducing the contents of this KARUTA.

建設工事安全かるた

Motto KARUTA for Safety of Construction Works



やくだ
役立つ ためのマニュアル ポイントチェック

安全衛生の重要性

リスクアセスメントの実施

「危険性・有害性」とは

ヒヤリ・ハット運動

危険予知活動

職長安全衛生責任者の心得

施工要領、作業手順、安全管理計画

安全施工サイクル

災害等防止の基本的対策

作業に必要な資格



We Have MANUALS,

Utilize Them in Your Work,

Check the Points for Help !

**Japan Society of Civil Engineers
Committee on Safety Problems**

©JSCE2023/Committee on Safety Problems

Permission must be obtained from JSCE before copying or reproducing the contents of this KARUTA.

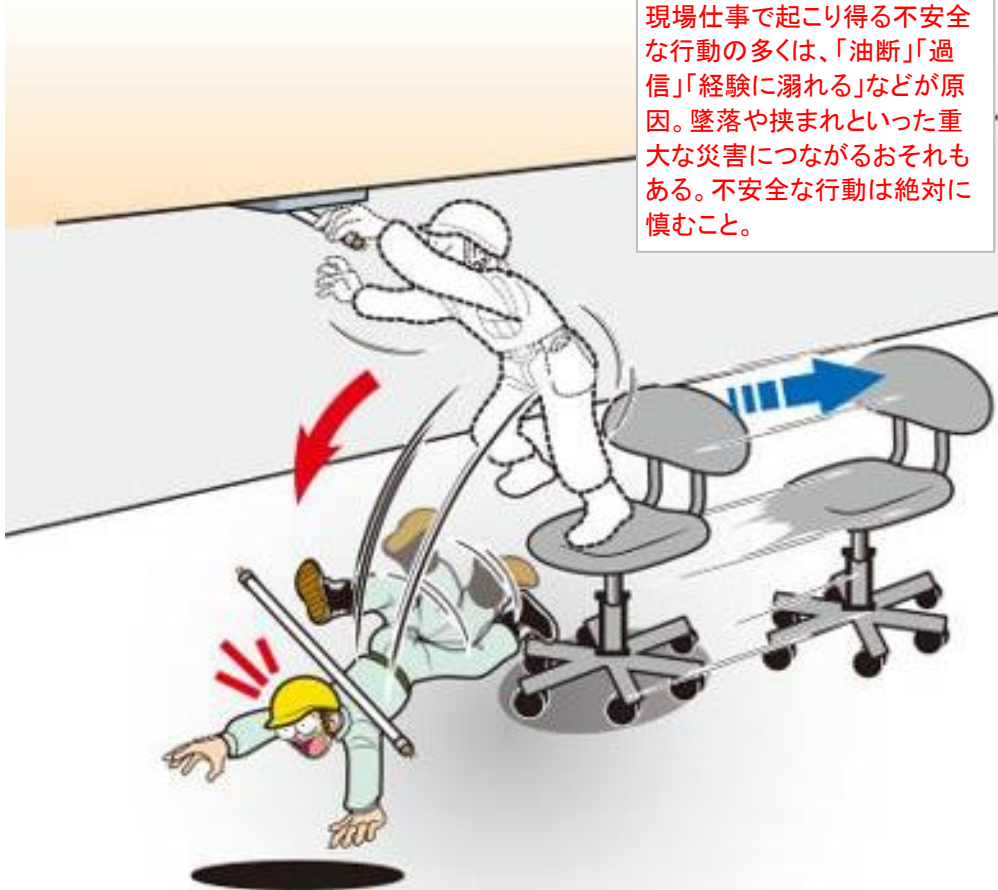
建設工事安全かるた

Motto KARUTA for Safety of Construction Works



ゆだん 油断した ちょっとだけだが おおごと 大事に

現場仕事で起こり得る不安全な行動の多くは、「油断」「過信」「経験に溺れる」などが原因。墜落や挟まれといった重大な災害につながるおそれもある。不安全な行動は絶対に慎むこと。



“It’s My Small Mistake,”

“I Was Just a Bit Off Guard” –

Can Mount to a Big Case !

**Japan Society of Civil Engineers
Committee on Safety Problems**

©JSCE2023/Committee on Safety Problems

Permission must be obtained from JSCE before copying or reproducing the contents of this KARUTA.

建設工事安全かるた

Motto KARUTA for Safety of Construction Works



よそことと ^{おも} ^{まな} 思わず学んで ^{ひび} ^{あんぜん} 日々安全



“It’s Not My Business...” –

Don’t Think That Way, But Learn Well,
For Your Own Safety !

**Japan Society of Civil Engineers
Committee on Safety Problems**

©JSCE2023/Committee on Safety Problems

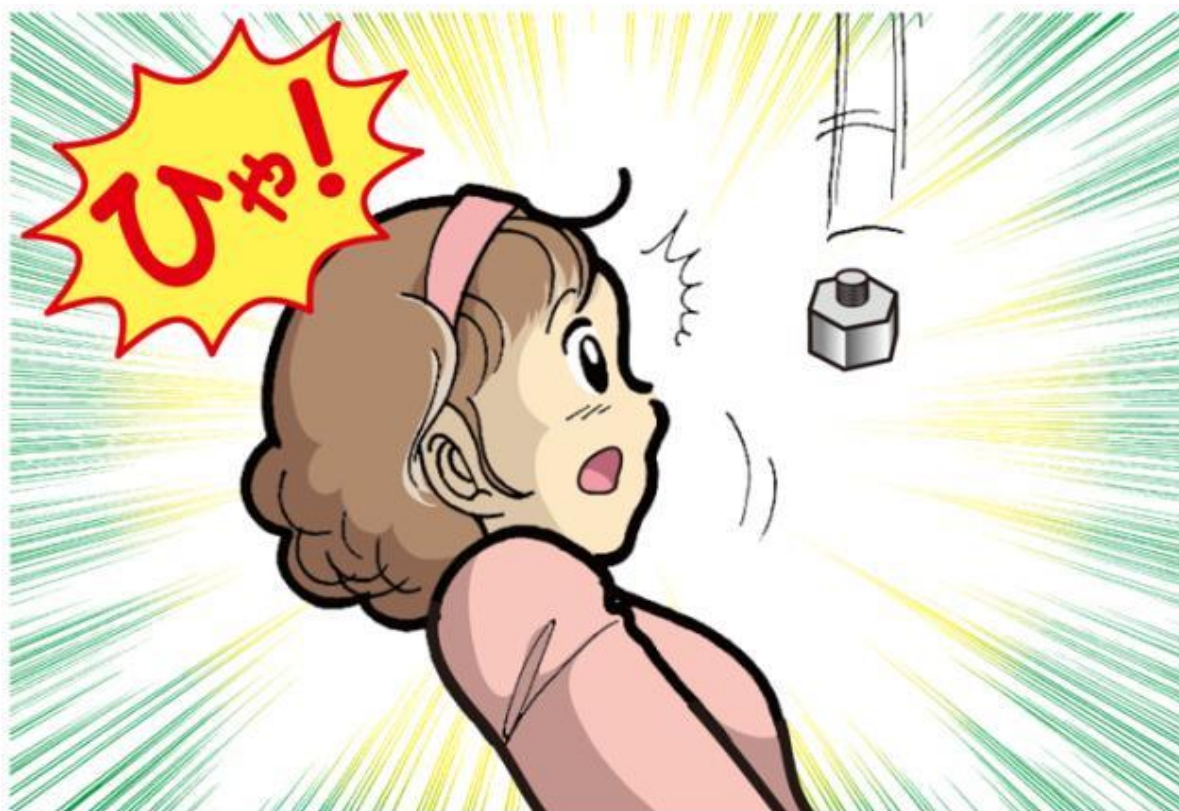
Permission must be obtained from JSCE before copying or reproducing the contents of this KARUTA.

建設工事安全かるた

Motto KARUTA for Safety of Construction Works



らっ かぶつ ちい 小さなものへも よち ようじょう
落下物 小さなものへも 予知養生



Anything Could Drop,
Take Care and Cure in Advance,
Even for Small Things !

**Japan Society of Civil Engineers
Committee on Safety Problems**

©JSCE2023/Committee on Safety Problems

Permission must be obtained from JSCE before copying or reproducing the contents of this KARUTA.

建設工事安全かるた

Motto KARUTA for Safety of Construction Works



リスクアセスメント ^{さぎよう}作業の^{まえ}前に ^{じっし}まず実施

例 「可搬式作業台で作業していて転落する」

危険性・有害性		(危険度)
(不安状態)		
・ストッパーがこわれている		×
・作業台が水平ではない		△
・作業台がガタついている		×
(不安全行動)		
・ムリな姿勢で作業する		×
・作業に熱中しすぎている		△



例 ○リスクレベルの高いものから優先してリスクを除去・低減する対策を検討し、実施する

① 極めて大きい	危険度	5	最優先
② かなり大きい	危険度	4	優先
③ 中程度	危険度	3	普通
④ かなり小さい	危険度	2	状況を見て
⑤ 極めて小さい	危険度	1	必要に応じて

Carry Out “Risk Assessment” –

Think of the Worst, and Think in Advance

Do the Right Thing Right !

**Japan Society of Civil Engineers
Committee on Safety Problems**

©JSCE2023/Committee on Safety Problems

Permission must be obtained from JSCE before copying or reproducing the contents of this KARUTA.

建設工事安全かるた

Motto KARUTA for Safety of Construction Works



ルールとは ^{じぶん}自分と ^{なかま}仲間を ^{まも}守るもの



Rules are Made to Help

Keep Yourself and Your Team Safe,
Learning From the Past !

**Japan Society of Civil Engineers
Committee on Safety Problems**

©JSCE2023/Committee on Safety Problems

Permission must be obtained from JSCE before copying or reproducing the contents of this KARUTA.

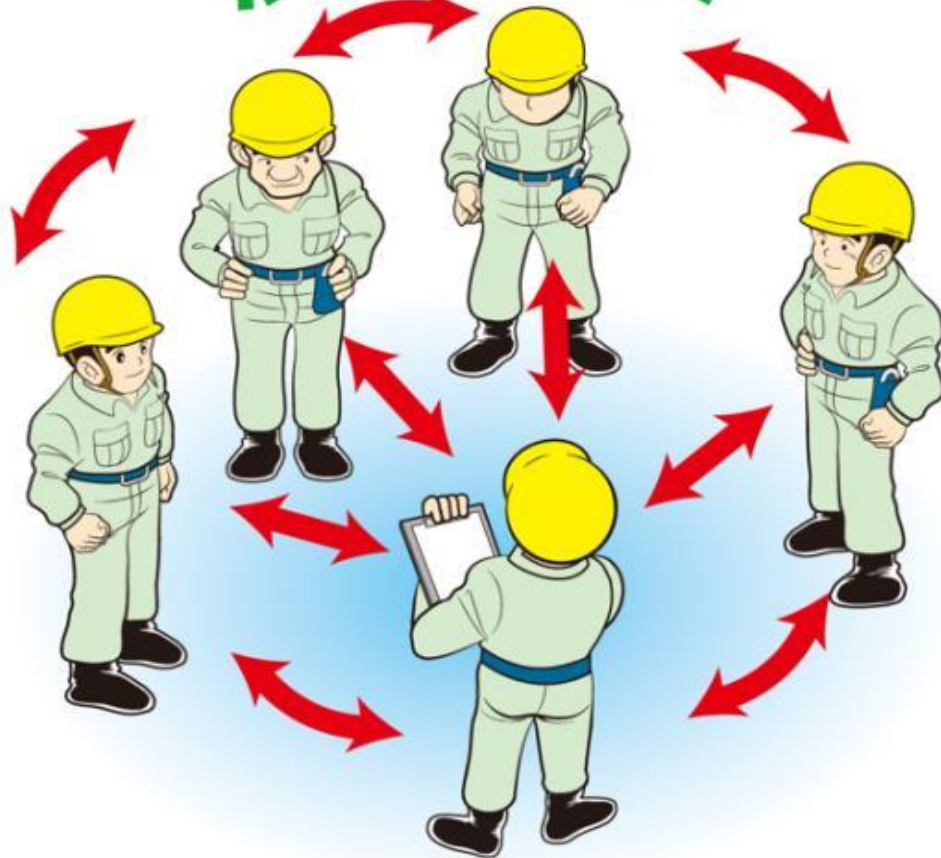
建設工事安全かるた

Motto KARUTA for Safety of Construction Works



れんらく れんらく を わす 忘れず じっせん 実践 じょうほうきょうゆう 情報共有

ホウレンソウ!



[We Propose “HOU-REN-SOU” (homophone of “Spinach” in Japanese) !]

HOU-REN-SOU !

“Report, Communicate and Consult” For Safety !

**Japan Society of Civil Engineers
Committee on Safety Problems**

©JSCE2023/Committee on Safety Problems

Permission must be obtained from JSCE before copying or reproducing the contents of this KARUTA.

建設工事安全かるた

Motto KARUTA for Safety of Construction Works



ろうさい お こうかい ふ あんぜん
労災を 起こせば後悔 不安全



Accidents at Work

Cause You Regret and a Sad Face

To Your Dear Family !

**Japan Society of Civil Engineers
Committee on Safety Problems**

©JSCE2023/Committee on Safety Problems

Permission must be obtained from JSCE before copying or reproducing the contents of this KARUTA.

建設工事安全かるた

わ

Motto KARUTA for Safety of Construction Works

ワイヤーロープ キンクで^{いっぱつしようきんし}一発 使用禁止



キンクが発生している。

使用禁止



If You Got a Kink

On the Rope That's Used at Work,
It's No Good and Mustn't Be Used !

**Japan Society of Civil Engineers
Committee on Safety Problems**

©JSCE2023/Committee on Safety Problems

Permission must be obtained from JSCE before copying or reproducing the contents of this KARUTA.